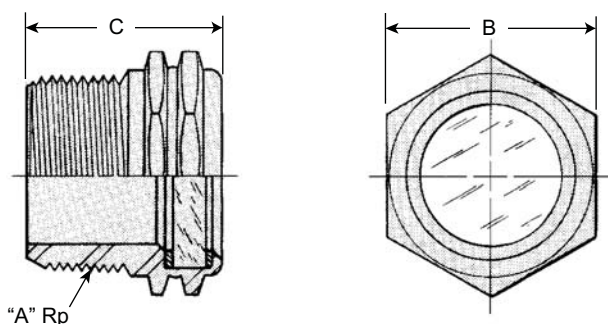


Peepsight Assemblies



Eclipse peepsight assemblies can be used for various combustion needs. The single piece units are designed for installation on the burner. The 2/3 union assemblies may be installed on or adjacent to the burner or the wall of the application itself. Blast gate peepsights are designed with a sliding gate to isolate the peepsight from that furnace and are used on the appliance wall. The rectangular peepsight assemblies, are designed for mounting in a duct or for use as a furnace viewing port.

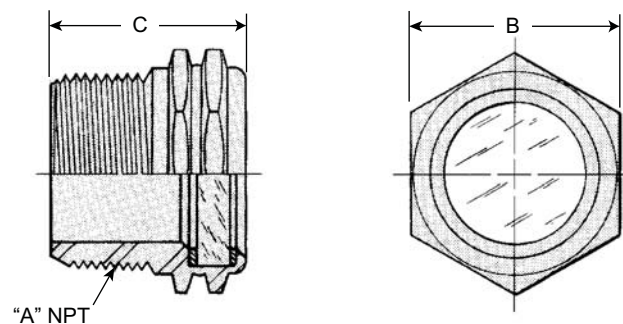
Single Piece Peepsights (Brass Alloy H59)



Assembly No.	Dimensions in Inches (mm)		
	A	B	C
17003	3/8	0.75 (19)	0.72 (18.26)
11737	1/2	0.94 (24)	0.78 (19.84)
10509	3/4	1.06 (27)	0.94 (23.81)
13225	1	1.42 (36)	1.25 (31.75)

Maximum Temperature: 350°F (180°C)
Maximum Operating Pressure: 25 psi (1.7 bar)

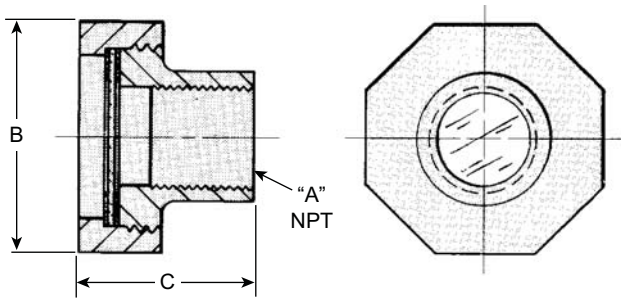
Single Piece Peepsight (Steel, Electroless Nickel Plated)



Assembly No.	Dimensions in Inches (mm)		
	A	B	C
10034566	3/8 - 18	0.75 (19.05)	0.72 (18.29)
10034234	1/2 - 14	0.94 (23.88)	0.78 (19.81)
10034565	3/4 - 14	1.06 (26.92)	0.94 (23.88)
10034564	1 - 11-1/2	1.38 (35.05)	1.06 (26.88)

Maximum Temperature: 500°F (260°C)
Maximum Operating Pressure: 100 psi (6.9 bar)

2/3 Union Peepsights



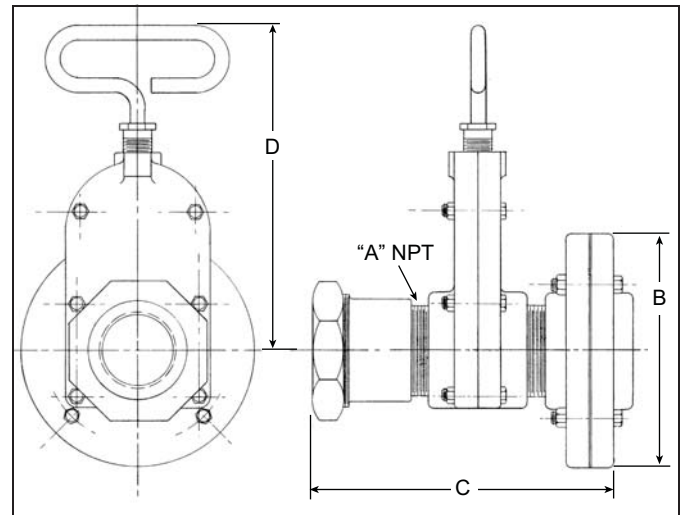
Assembly No.	Dimensions in Inches			Max. Operating Press. @ 100°F
	A	B	C	
120051	1-1/4	2-3/4	1-7/8	60 psi
120053	1-1/2	3	2-1/8	45 psi
120054	2	3-5/8	2-3/8	30 psi
120060	3	5-3/4	2-1/2	15 psi

* For maximum pressures at other temperatures, see the multiplier table.

Multiplier Table

Ambient Temperature	400°F	500°F	600°F	700°F
Multiplier	0.6	0.3	0.1	0

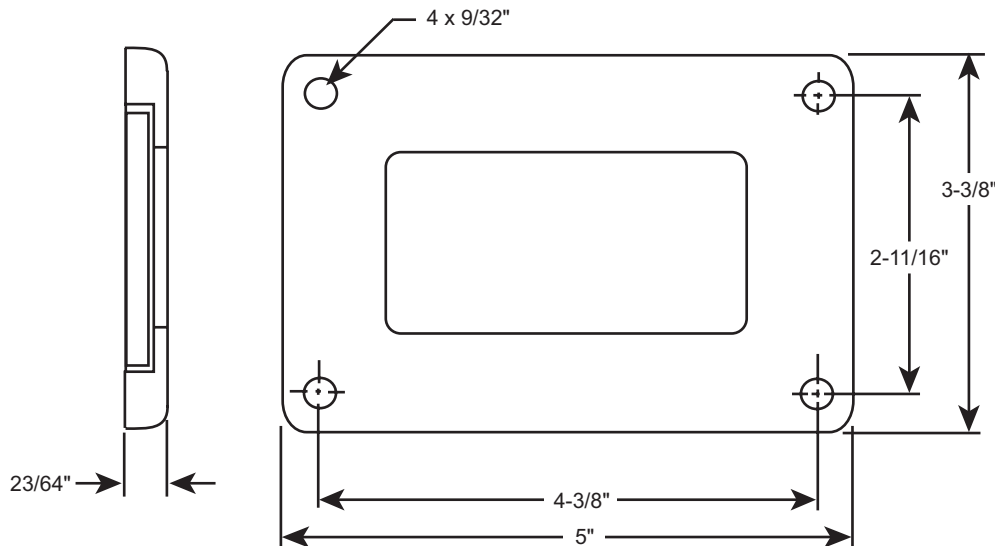
Blast Gate Peepsights



Assembly No.	Dimensions in Inches				Max. Operating Press. @ 100°F
	A	B	C	D	
120061	1-1/2	4-1/4	6-7/8	6-3/4 Closed 8-1/2 Open	45 psi
120058	2	5	7-1/2	9 Closed 11-1/2 Open	30 psi
120059	3	6-1/8	9-1/2	10 Closed 12-3/8 Open	15 psi

* For maximum pressures at other temperatures, see the multiplier table.

Rectangular Peepsight Assembly (120072)



Maximum temperature rating is 450°F. Use with ambient pressure only.



Offered By:

Power Equipment Company
2011 Williamsburg Road
Richmond, Virginia 23231
Phone (804) 236-3800
Fax (804) 236-3882

www.peconet.com